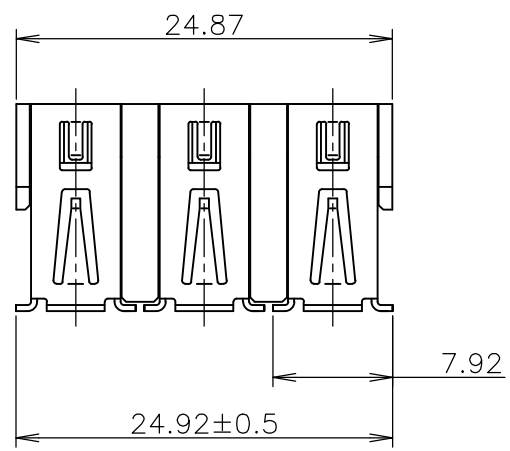


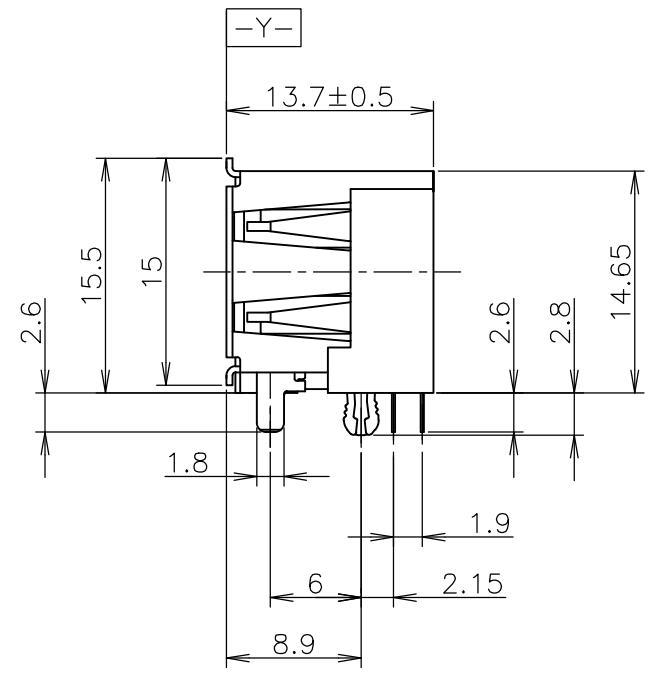
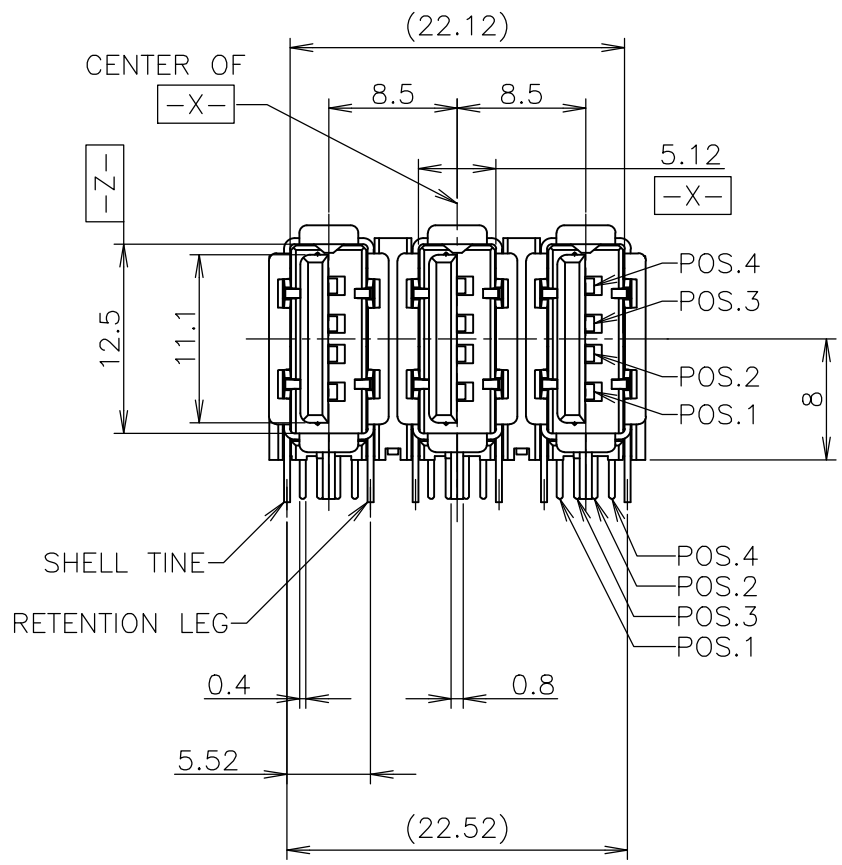
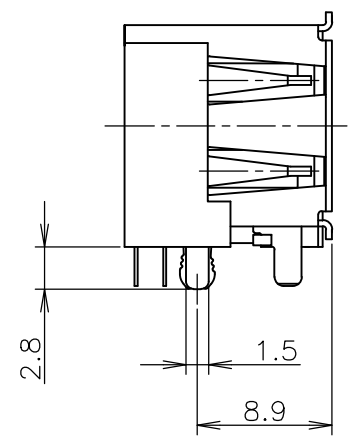
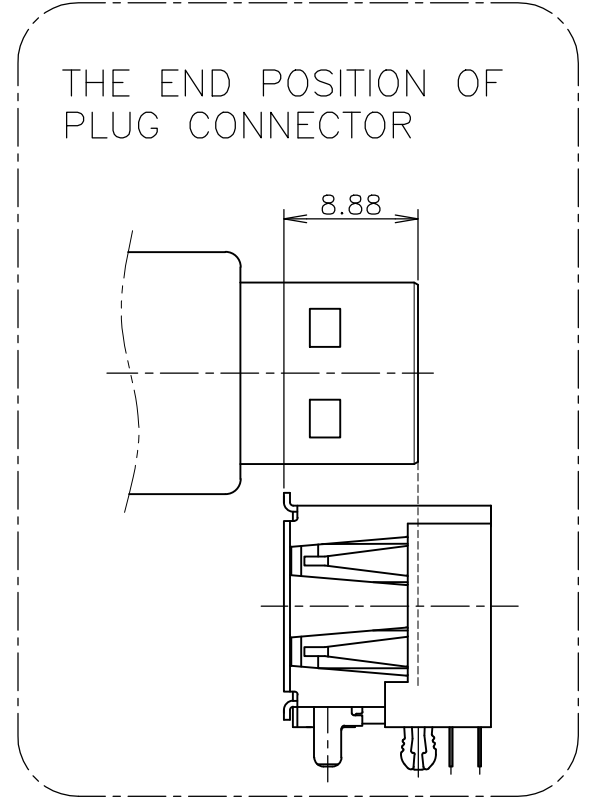
THIS DRAWING IS UNPUBLISHED. RELEASED FOR PUBLICATION DEC. 2001.
 © COPYRIGHT 2001 By - ALL RIGHTS RESERVED.

LOC	DIST	REVISIONS					
J	/	P	LTR	DESCRIPTION	DATE	DWN	APVD
			E3	REVISED PER ECR-15-016523	16NOV15	T.Z	H.W

4-1565589-3
 1565589-2
 ; AS SHOWN

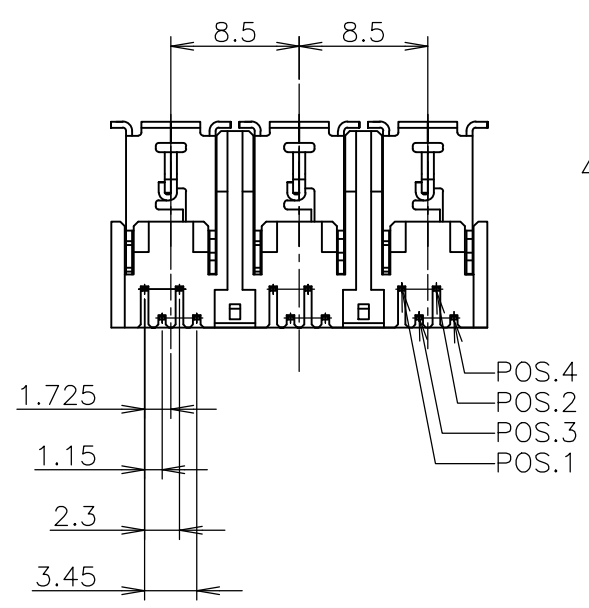
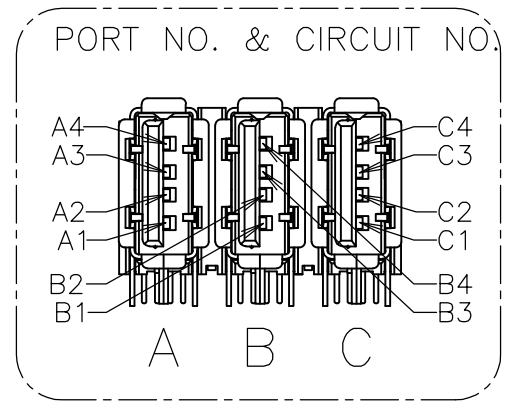


- ④ MATERIAL
 HOUSING: THERMO-PLASTICS UL94V-0 BLACK
 CONTACT: COPPER ALLOY
 FRONT SHELL: COPPER ALLOY
- ② FINISH
 CONTACT: NICKEL UNDER PLATE ALL OVER.
 CONTACT AREA: GOLD PLATE
 TINE AREA: TIN-LEAD PLATING
- ③ FINISH
 CONTACT: NICKEL UNDER PLATE ALL OVER.
 CONTACT AREA: GOLD PLATE
 TINE AREA: TIN PLATING
 FRONT SHELL: TIN PLATE



④	④	OBSOLETE	SEE SHEET 5, 6	③	④	6-1565589-2
④	②	OBSOLETE	SEE SHEET 3, 4	③	②	3-1565589-3
④	③	OBSOLETE	SEE SHEET 1, 2	③	③	6-1565589-1
④	②	OBSOLETE		③	②	4-1565589-3
						1565589-2
			REMARK		FINISH	PART NO.

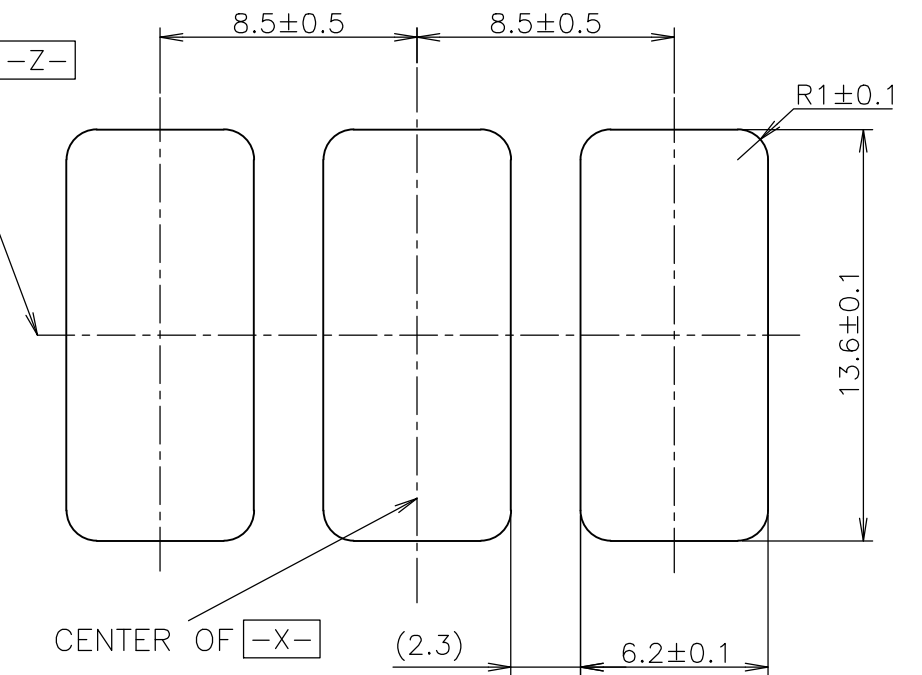
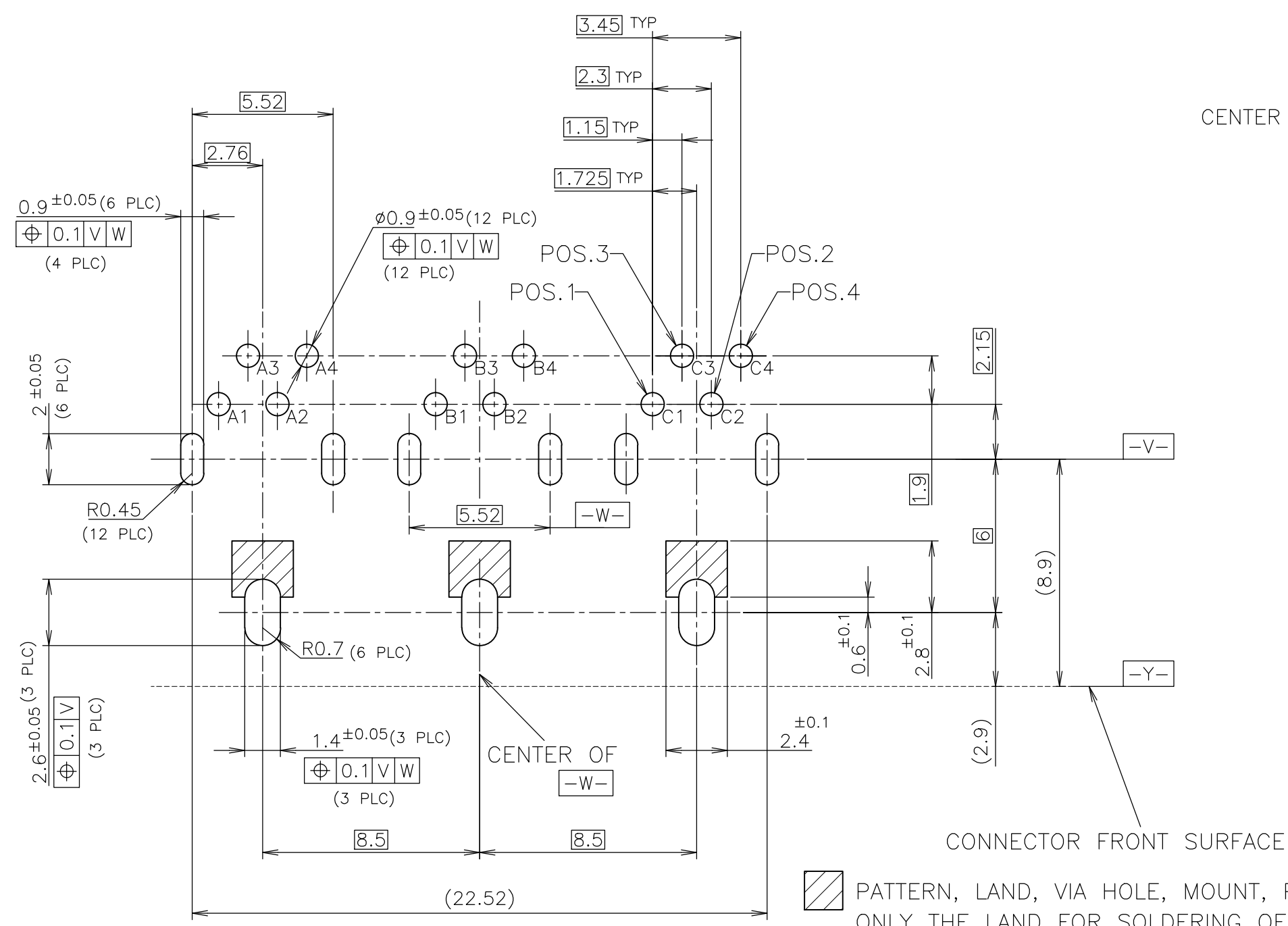
④ OBSOLETE PARTS: OBSOLETE CIS STREAMLINING PER D.RENAUD/D.SINISI



THIS DRAWING IS A CONTROLLED DOCUMENT.		DWN S.TODA 12DEC2001	TE Connectivity		
DIMENSIONS: 单位: 毫米 mm		CHK T.Z 12DEC2001			
TOLERANCES UNLESS OTHERWISE SPECIFIED: 一般公差		APVD H.KODAMA 12DEC2001	NAME 名称		
0 PLC ± 0.3		PRODUCT SPEC 製品規格		USB CONNECTOR RECEPTACLE TYPE	
1 PLC ± 0.3		APPLICATION SPEC 取付適用規格		108-5804	
2 PLC ± 0.3		WEIGHT		SIZE A3	CAGE CODE 00779
3 PLC ± 0.3		CUSTOMER DRAWING		DRAWING NO 番号	G-1565589
4 PLC ± 0.3		FINISH 仕上		RESTRICTED TO	
ANGLES ± 3°		SEE TABLE		SCALE 尺度	2:1
MATERIAL 材料		①		SHEET	1 OF 6
				REV	E3

THIS DRAWING IS UNPUBLISHED. RELEASED FOR PUBLICATION DEC ,2001.
 © COPYRIGHT 2001 By - ALL RIGHTS RESERVED.

LOC	DIST	REVISIONS			DATE	DWN	APVD
J	/	P	LTR	DESCRIPTION			
		-		SEE SHEET 1	-	-	-



*THIS DIMENSIONS ARE NOT CONSIDERATION
 PANEL TOLERANCE AND PANEL ASSEMBLY TOLERANCE.

RECOMMENDED PANEL DIMENSION

PATTERN, LAND, VIA HOLE, MOUNT, PROHIBITION AREA.
 ONLY THE LAND FOR SOLDERING OF FRONT SHELL IS OK.

RECOMMENDED LAYOUT OF P.C.B
 (CONNECTOR MOUNTING SIDE)
 RECOMMENDED THICKNESS: 1.0~1.6mm

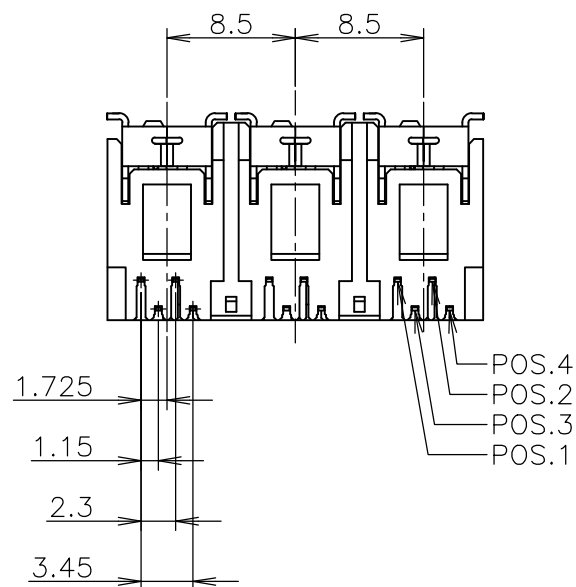
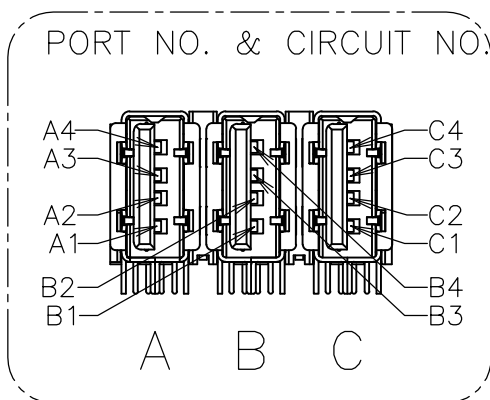
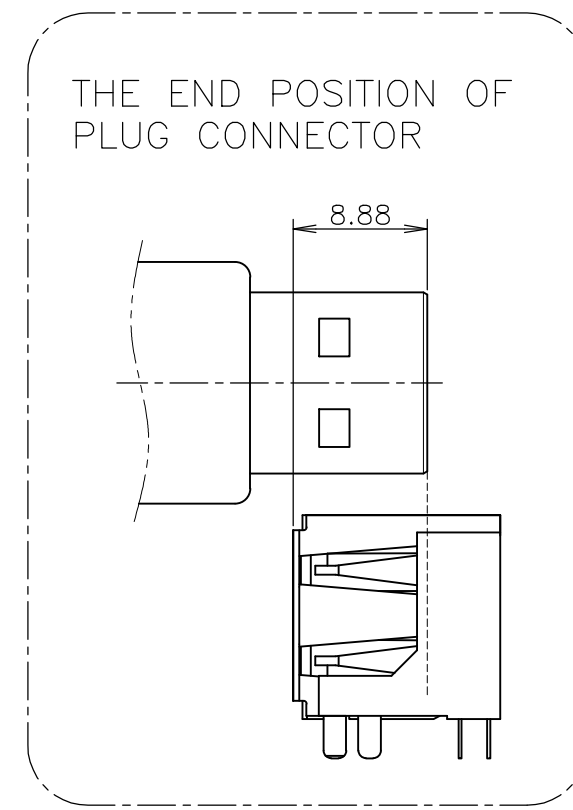
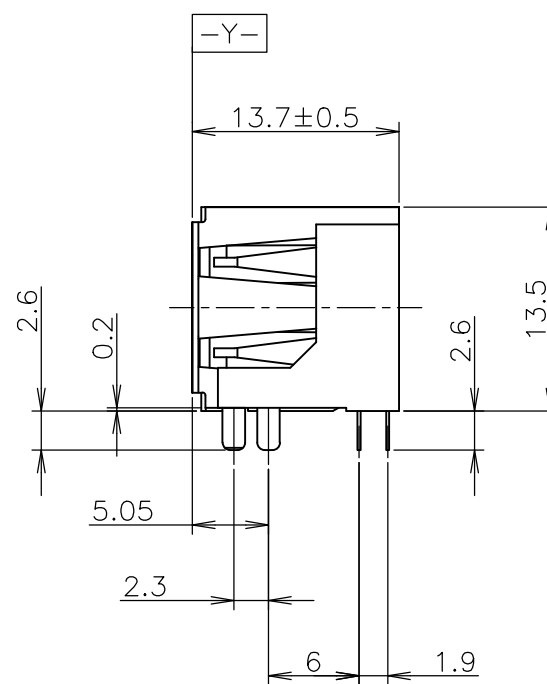
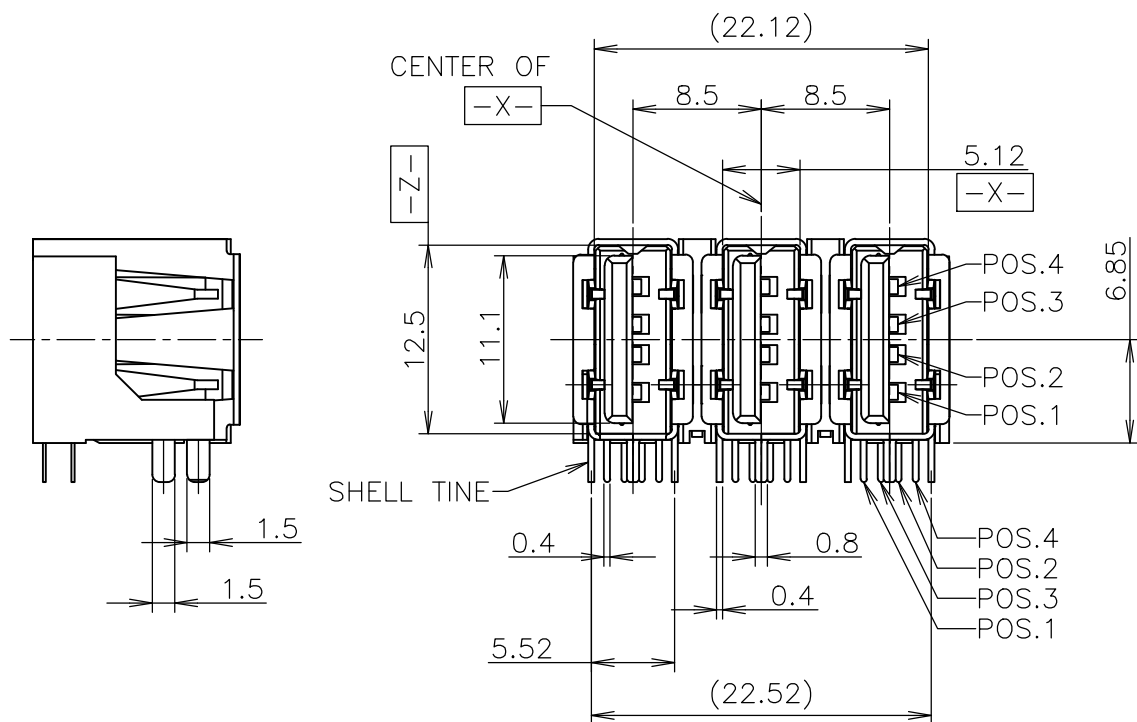
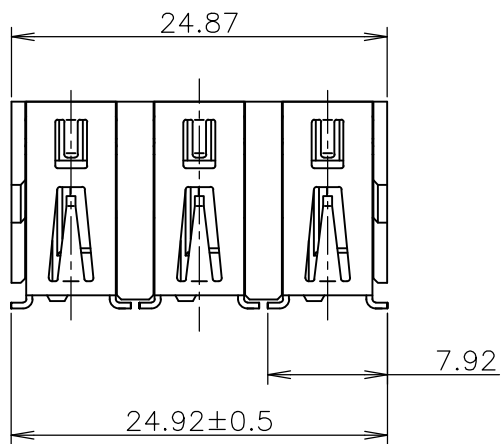
APPLICATION PRODUCT: 1565589-2
 4-1565589-3

THIS DRAWING IS A CONTROLLED DOCUMENT.		DWN	TE Connectivity		
DIMENSIONS: 单位: 耗 mm		CHK			
TOLERANCES UNLESS OTHERWISE SPECIFIED: 一般公差		APVD	NAME 名称		
0 PLC ± 0.3		PRODUCT SPEC 製品規格	USB CONNECTOR RECEPTACLE TYPE		
1 PLC ± 0.3		APPLICATION SPEC 取付適用規格	SIZE	CAGE CODE	DRAWING NO 番号
2 PLC ± 0.3		WEIGHT	A3	00779	C-1565589
3 PLC ± 0.3		CUSTOMER DRAWING	SCALE 尺度 5:1		SHEET 2 OF 6
4 PLC ± 0.3			RESTRICTED TO		REV E3
ANGLES ± 3°					
FINISH 仕上					
MATERIAL 材料					

THIS DRAWING IS UNPUBLISHED. RELEASED FOR PUBLICATION DEC. 2001.
 © COPYRIGHT 2001 By - ALL RIGHTS RESERVED.

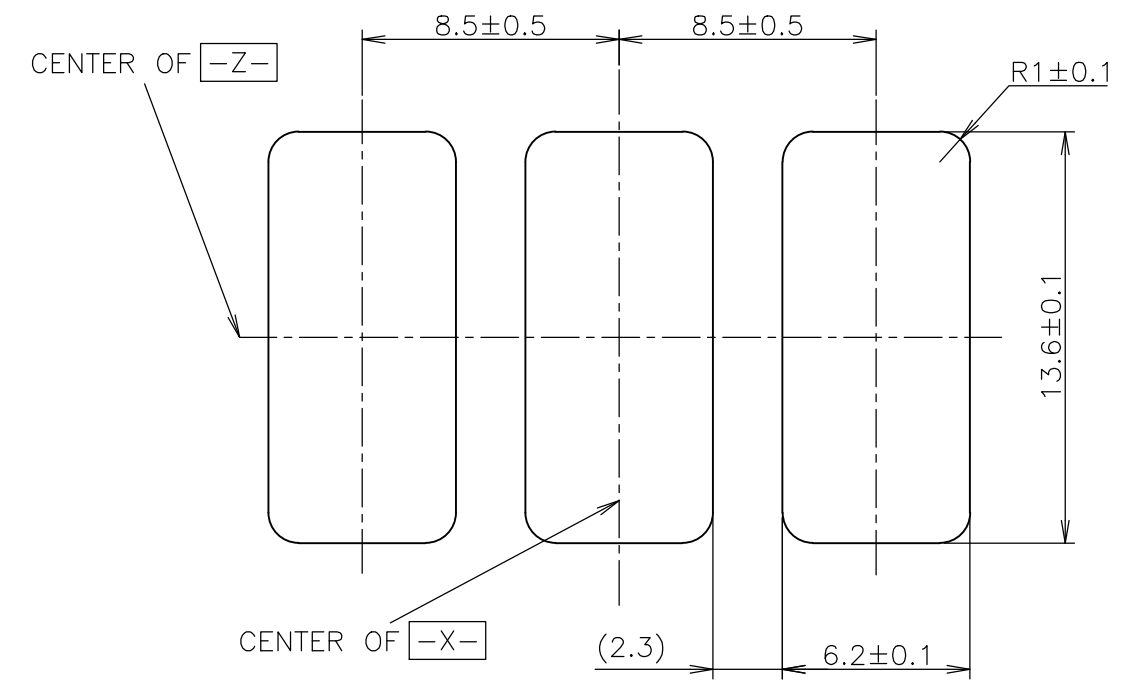
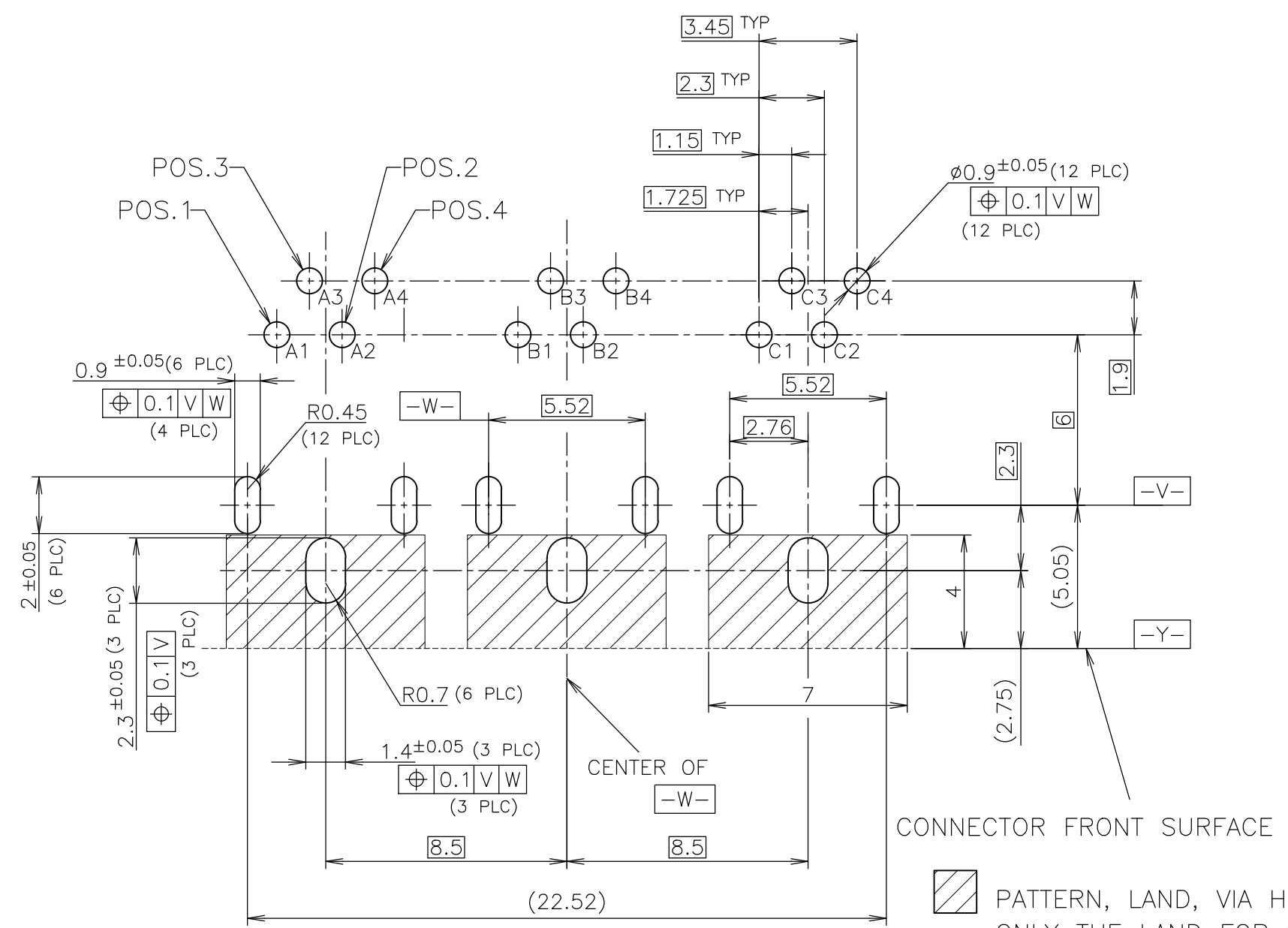
LOC		DIST		REVISIONS			DATE	DWN	APVD
P	LTR	DESCRIPTION							
J	/	-	-	SEE SHEET 1	-	-	-	-	

⊕E3
 △4
 6-1565589-1
 ; AS SHOWN



THIS DRAWING IS A CONTROLLED DOCUMENT.		DWN		TE Connectivity	
DIMENSIONS: 單位: 耗 mm		CHK			
TOLERANCES UNLESS OTHERWISE SPECIFIED: 一般公差		APVD		NAME 名称	
0 PLC ± 0.3		PRODUCT SPEC 製品規格		USB CONNECTOR RECEPTACLE TYPE	
1 PLC ± 0.3		APPLICATION SPEC 取付適用規格		SIZE	
2 PLC ± 0.3		WEIGHT		CAGE CODE	
3 PLC ± 0.3		CUSTOMER DRAWING		DRAWING NO 番号	
4 PLC ± 0.3		SCALE 尺度 5:1		A3 00779 C-1565589	
ANGLES ± 3°		SHEET 3 of 6		RESTRICTED TO	
MATERIAL 材料		FINISH 仕上		REV E3	

LOC	DIST	REVISIONS		
		P	LTR	DESCRIPTION
J	/		-	SEE SHEET 1



*THIS DIMENSIONS ARE NOT CONSIDERATION
 PANEL TOLERANCE AND PANEL ASSEMBLY TOLERANCE.

RECOMMENDED PANEL DIMENSION

RECOMMENDED LAYOUT OF P.C.B
 (CONNECTOR MOUNTING SIDE)
 RECOMMENDED THICKNESS: 1.0~1.6mm

PATTERN, LAND, VIA HOLE, MOUNT, PROHIBITION AREA.
 ONLY THE LAND FOR SOLDERING OF FRONT SHELL IS OK.

THIS DRAWING IS A CONTROLLED DOCUMENT.		DWN	TE Connectivity		
DIMENSIONS: 单位: 耗 mm		CHK			
	TOLERANCES UNLESS OTHERWISE SPECIFIED: 一般公差	APVD	NAME 名称		
	0 PLC ± 0.3	PRODUCT SPEC 製品規格	USB CONNECTOR RECEPTACLE TYPE		
	1 PLC ± 0.3	APPLICATION SPEC 取付適用規格	SIZE	CAGE CODE	DRAWING NO 番号
	2 PLC ± 0.3	WEIGHT	A3	00779	G-1565589
3 PLC ± 0.3	FINISH 仕上	CUSTOMER DRAWING	SCALE 尺度	SHEET	REV
4 PLC ± 0.3			5:1	4 OF 6	E3
ANGLES ± 3°					
MATERIAL 材料					



THIS DRAWING IS UNPUBLISHED.

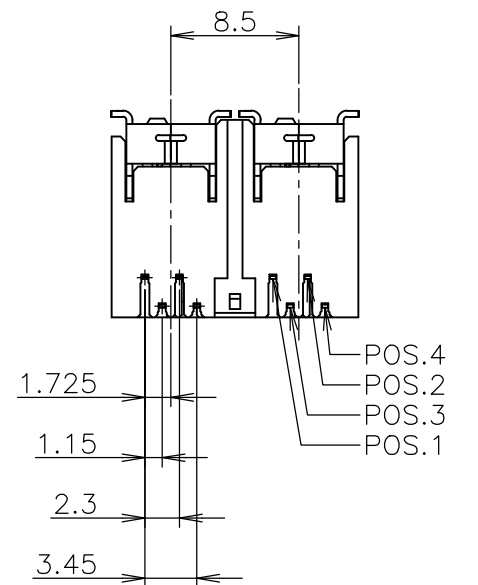
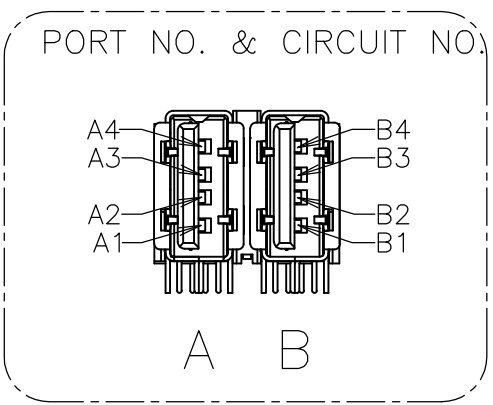
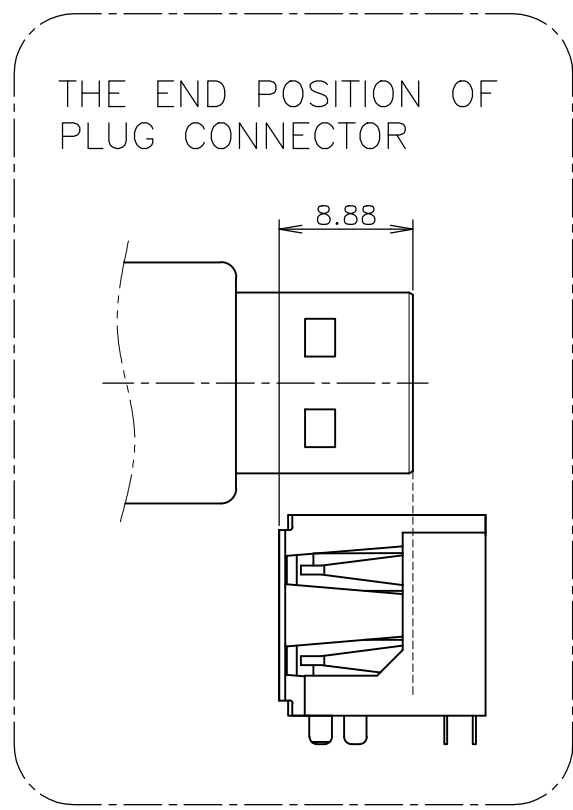
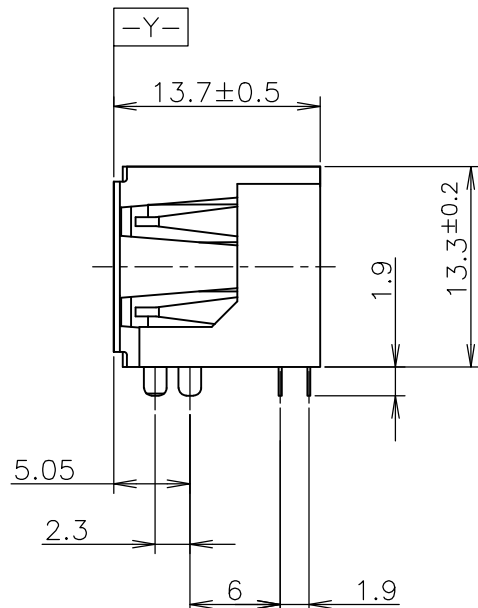
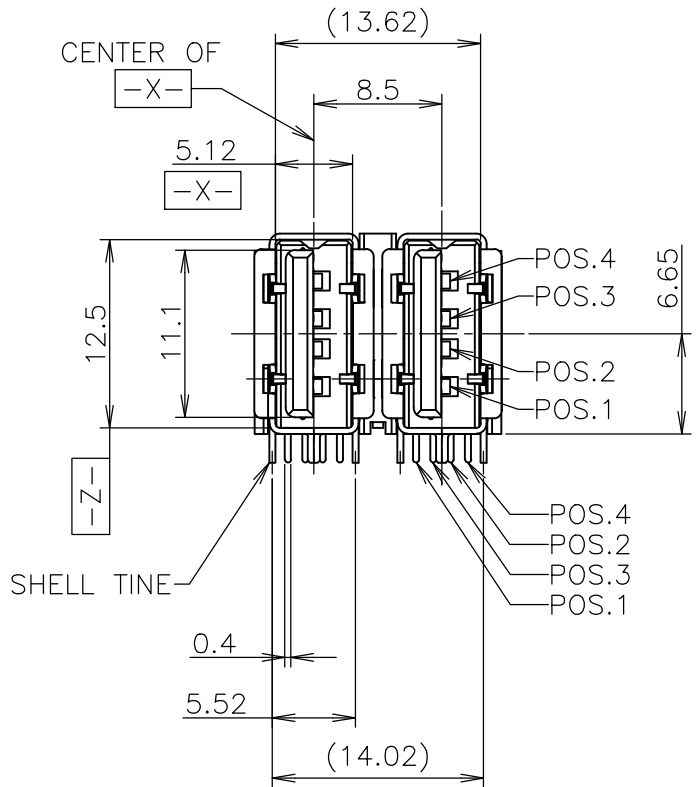
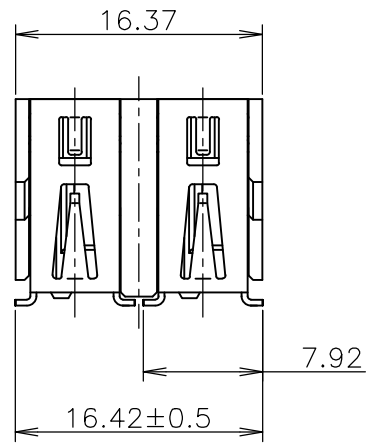
RELEASED FOR PUBLICATION DEC ,2001.


© COPYRIGHT 2001 By -

ALL RIGHTS RESERVED.

LOC	DIST	REVISIONS		
		P	LTR	DESCRIPTION
J	/	-	-	SEE SHEET 1
				DATE
				DWN
				APVD

 6-1565589-2
 3-1565589-3
 ; AS SHOWN



THIS DRAWING IS A CONTROLLED DOCUMENT.		DWN		 TE Connectivity	
DIMENSIONS: 单位: 耗 mm		CHK			
TOLERANCES UNLESS OTHERWISE SPECIFIED: 一般公差		APVD		NAME 名称	
0 PLC ± 0.3 1 PLC ± 0.3 2 PLC ± 0.3 3 PLC ± 0.3 4 PLC ± 0.3 ANGLES ± 3'		PRODUCT SPEC 製品規格		USB CONNECTOR RECEPTACLE TYPE	
MATERIAL 材料		FINISH 仕上		APPLICATION SPEC 取付適用規格	
		WEIGHT		SIZE	RESTRICTED TO
		CUSTOMER DRAWING		CAGE CODE 00779	DRAWING NO 番号 1565589
		SCALE 尺度 5:1		SHEET 5 of 6	REV E3

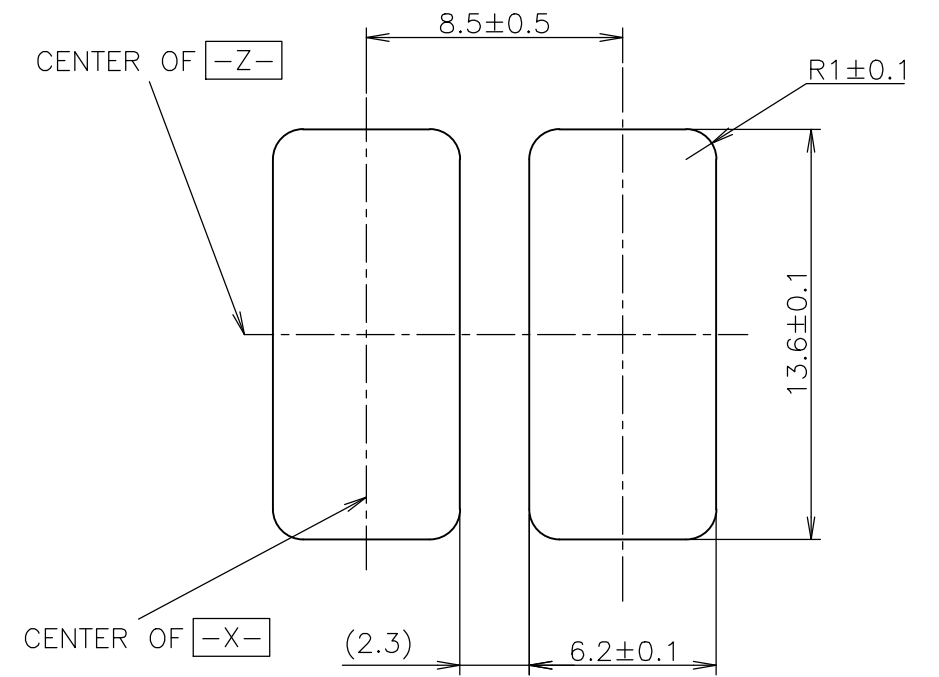
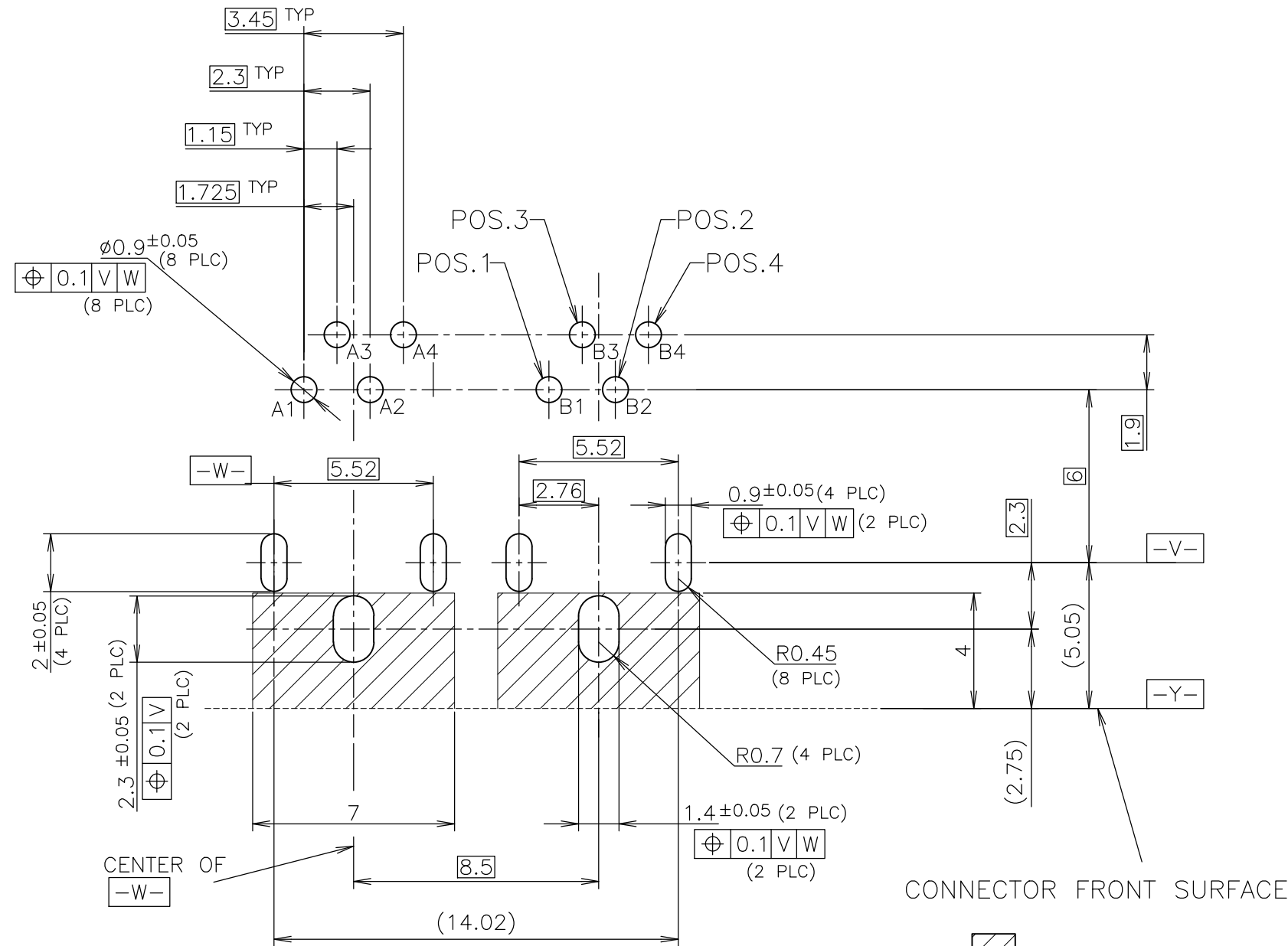
THIS DRAWING IS UNPUBLISHED.

RELEASED FOR PUBLICATION DEC ,2001.

© COPYRIGHT 2001 By -

ALL RIGHTS RESERVED.

LOC	DIST	REVISIONS		
		P	LTR	DESCRIPTION
J	/	-	-	SEE SHEET 1
				DATE
				DWN
				APVD



*THIS DIMENSIONS ARE NOT CONSIDERATION PANEL TOLERANCE AND PANEL ASSEMBLY TOLERANCE.

RECOMMENDED PANEL DIMENSION

PATTERN, LAND, VIA HOLE, MOUNT, PROHIBITION AREA. ONLY THE LAND FOR SOLDERING OF FRONT SHELL IS OK.

RECOMMENDED LAYOUT OF P.C.B (CONNECTOR MOUNTING SIDE)

RECOMMENDED THICKNESS: 1.0~1.2mm

THIS DRAWING IS A CONTROLLED DOCUMENT.		DWN		TE Connectivity	
		CHK			
DIMENSIONS: 单位: 耗 mm		TOLERANCES UNLESS OTHERWISE SPECIFIED: 一般公差		NAME 名称	
		0 PLC ± 0.3		PRODUCT SPEC 製品規格	
		1 PLC ± 0.3		APPLICATION SPEC 取付適用規格	
		2 PLC ± 0.3		SIZE	
		3 PLC ± 0.3		CAGE CODE	
		4 PLC ± 0.3		DRAWING NO 番号	
		ANGLES ± 3'		RESTRICTED TO	
MATERIAL 材料		FINISH 仕上		A300779 C-1565589	
		WEIGHT		SCALE 尺度 5:1	
		CUSTOMER DRAWING		SHEET 6 OF 6	
				REV E3	